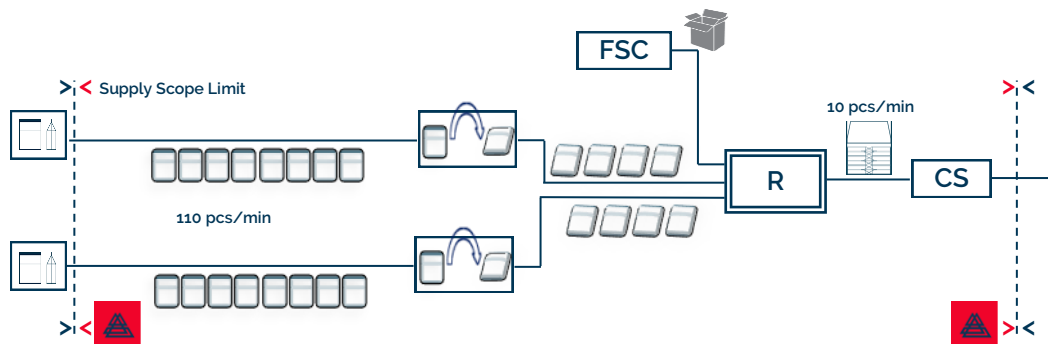




FLAT BOTTOMED BAGS

LINE FOR THE SECONDARY PACKAGING OF FLAT BOTTOMED BAGS INTO CARTON BOXES

- ⇒ **OUTPUT CAPACITY:** Up to 10 boxes/minute
(up to 110 bags/minute entering the packaging cell)
- ⇒ **VERSATILITY:** 2 sizes of bags and 2 different weights, 4 different sizes of boxes
- ⇒ **USER-FRIENDLINESS:** Easy and fast production changeover
- ⇒ **RELIABILITY:** Designed and built to operate continuously, 3 working shifts per day



ABRIGO
ROBOTIC SYSTEMS FOR FOOD INDUSTRY



CARTON BOXES

ABRIGO S.p.A.

Via Alba-Cortemilia, 128 - 12055 Ricca di Diano d'Alba (CN) - ITALY

www.abrigospa.com

Member
ADNET
Advanced Technology Network

EN

MADE IN ITALY

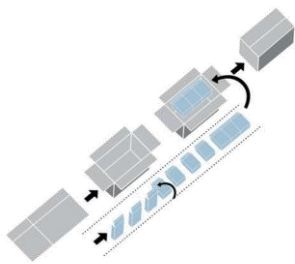


FLAT BOTTOMED BAGS

DESCRIPTION AND TECHNICAL SPECIFICATIONS

- ⇒ Product handling by plastic chain conveyor
- ⇒ The packaging cell is suited to handle the bags coming from 2 primary packaging lines
(55 + 55 bags/min as input, up to 10 boxes/min as output)
- ⇒ Tipping system with pins to turn the bags 90°
- ⇒ n.1 FSC - box forming unit
- ⇒ Handling of the boxes between the forming unit and the packaging cell by plastic chain conveyor
- ⇒ n.1 R - pick and place robotic cell, Abrigo MRS, with 4-axis industrial robot
- ⇒ Gripper equipped with sensor to detect the correct picking of the product and therefore boxes that eventually may have been left incomplete
- ⇒ System for the fully automated replacement of the gripper at production changeover
- ⇒ Handling of the boxes inside the pick and place cell by stepping-conveyor
- ⇒ Integrated vacuum generating group
- ⇒ Discharge roller conveyor with automatic pusher, to unload the boxes that are incomplete
- ⇒ n.1 CS - boxes closing unit

WAY OF PACKAGING



Stacking of the bags. The bags are tilted at the inlet of the pick and place cell. The bags are put into the boxes in horizontal position. The bags can be rotated in the horizontal plane, thanks to the rotation of the handling gripper.

Power Supply	3f + n, 400V, 50Hz
Installed Power	20kW
Packaging cell dimensions (L x W x h)	4.500 x 2.100 x 2.500mm
Compressed Air	5bar, 1.500NL/min

Technical data are just for reference purpose and refer to a specific application.



CARTON BOXES

ABRIGO S.p.A.

Via Alba-Cortemilia, 128 - 12055 Ricca di Diano d'Alba (CN) - ITALY

www.abrigospa.com

Member
ADNET
Advanced Technology Network



ABRIGO
ROBOTIC SYSTEMS FOR FOOD INDUSTRY



MADE IN ITALY